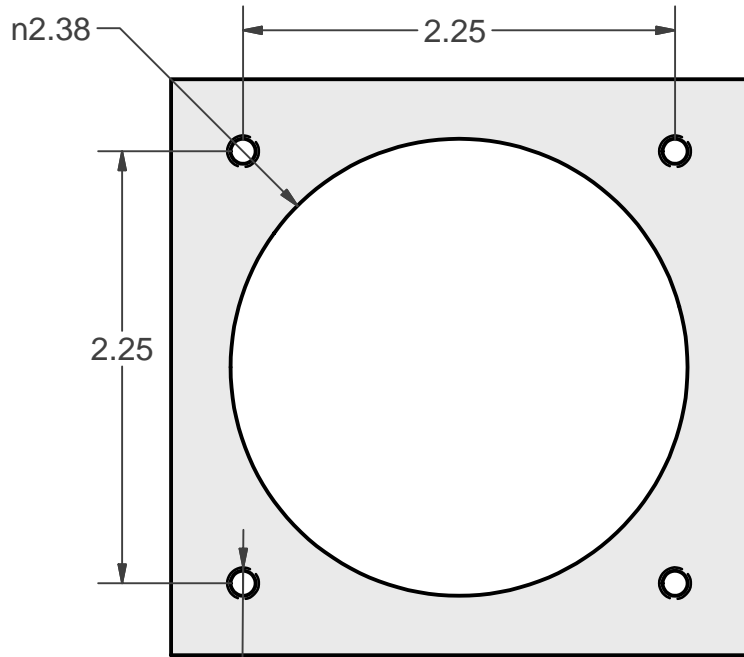
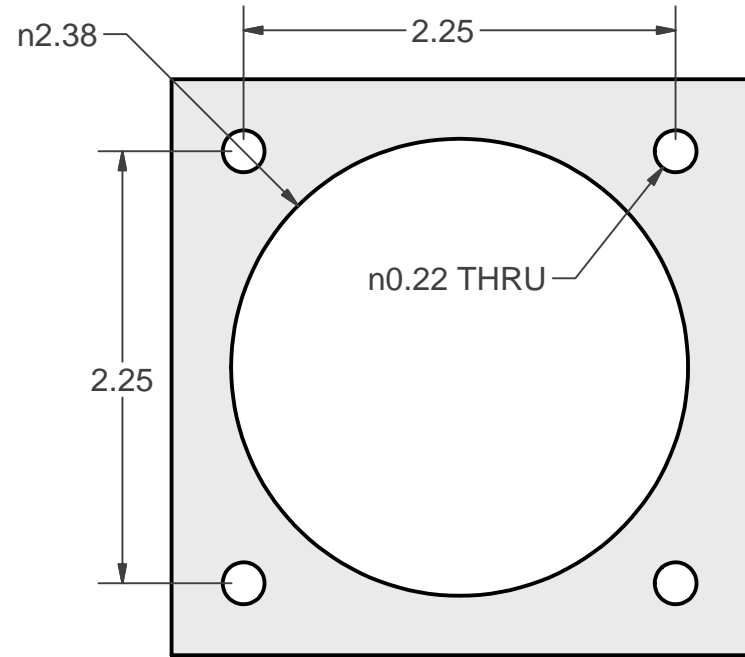


PANEL CUT DIMENSIONS



DROP - IN MOUNTING PATTERN

8-32 UNC - 2B x 0.50



FEED - THRU MOUNTING PATTERN

MAX PANEL THICKNESS = 3,8 mm (.15 in)

DRAWN keith		6/19/2003	Cyber-Tech, Inc.		
APPROVED					
Phone:	1.800.621.8754		SIZE A	DWG NO ELECTRONIC JOYSTICK	REV A
Phone:	503.620.2285		SCALE 1:1		
Fax:	503.620.8580		SHEET 2 OF 2		
Web:	www.cyber-tech.net				
e-mail	engineering@cyber-tech.net				