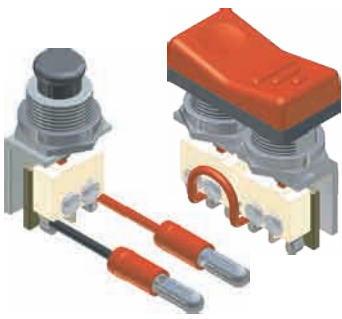
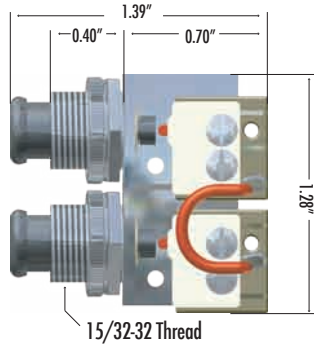
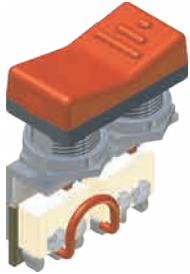


# Switches

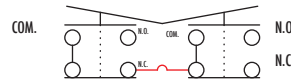
## Standard CTI Switches



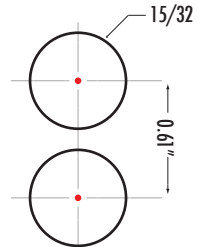
### CTI Rocker Switches



#### Circuit Diagram



#### Panel Cutout Dimensions

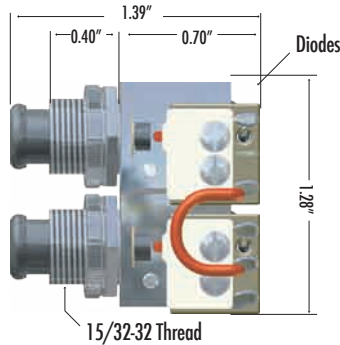
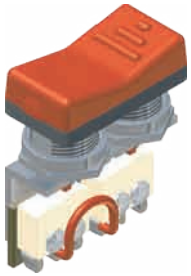


CTI Part # **32-R-922190-01** SPDT - mom (On)-Off-(On)

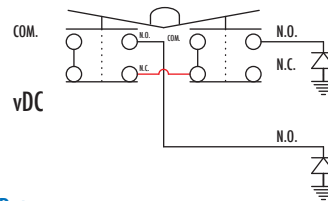
#### Technical Data

Cycles: **10,000,000**  
 Current Rating: **5 amps@120 vAC, 30vDC**  
 Temperature Range: **-55°C to +85° @ Rated Current**  
 Internal Seals: **N/A**

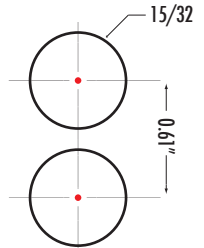
Spring Rate: **6.9 lbs**  
 Environmental Protection: **IP40, IP67**  
 Wire Leads: **None**  
 Terminals: **None**



#### Circuit Diagram



#### Panel Cutout Dimensions

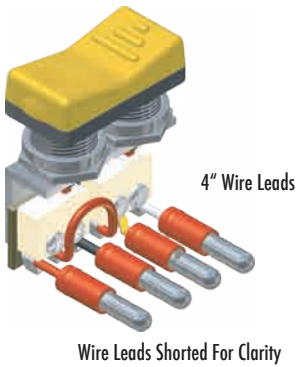


CTI Part # **32-R-922195-01** SPDT - mom (DC) (On)-Off-(On)

#### Technical Data

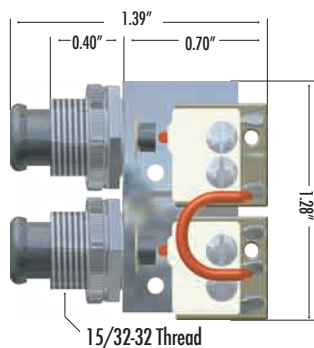
Cycles: **10,000,000**  
 Current Rating: **5 amps@30vDC**  
 Temperature Range: **-55°C to +85° @ Rated Current**  
 Internal Seals: **N/A**

Spring Rate: **6.9 lbs**  
 Environmental Protection: **IP40, IP67**  
 Wire Leads: **None**  
 Terminals: **None**

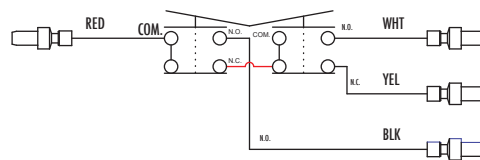


4" Wire Leads

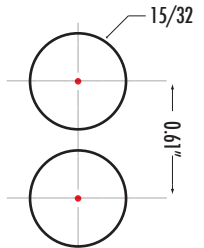
Wire Leads Shorted For Clarity



#### Circuit Diagram



#### Panel Cutout Dimensions



CTI Part # **32-R-960158-01** SPDT - mom (w/Cat-Leads) (On)-Off-(On)

#### Technical Data

Cycles: **10,000,000**  
 Current Rating: **5 amps@120 vAC, 30vDC**  
 Temperature Range: **-55°C to +85° @ Rated Current**  
 Internal Seals: **N/A**

Spring Rate: **6.9 lbs**  
 Environmental Protection: **IP40, IP67**  
 Wire Leads: **4"**  
 Terminals: **Male Bullet 22-16, 0.156**

[www.cyber-tech.net](http://www.cyber-tech.net)

1-800-621-8754

